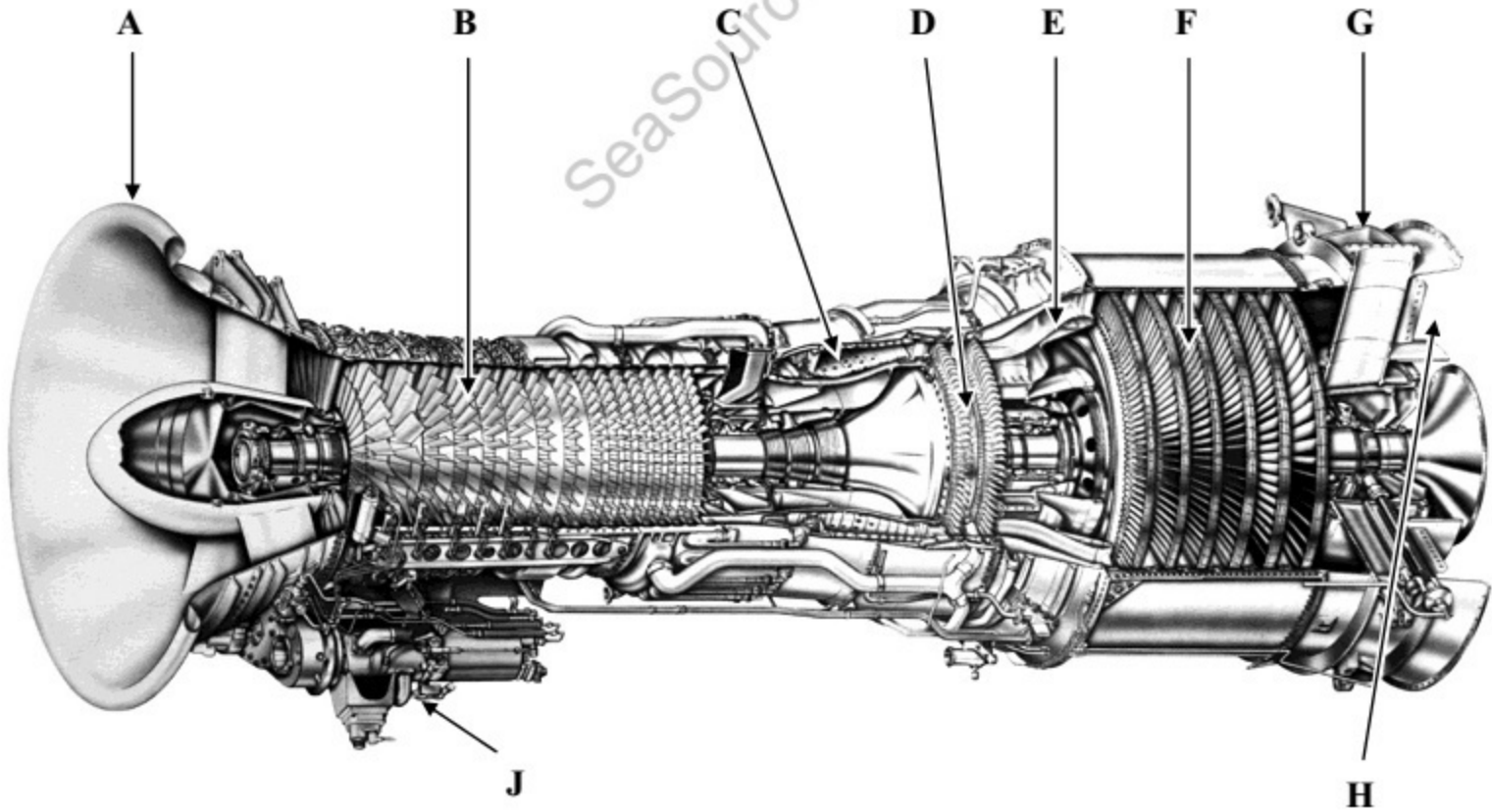
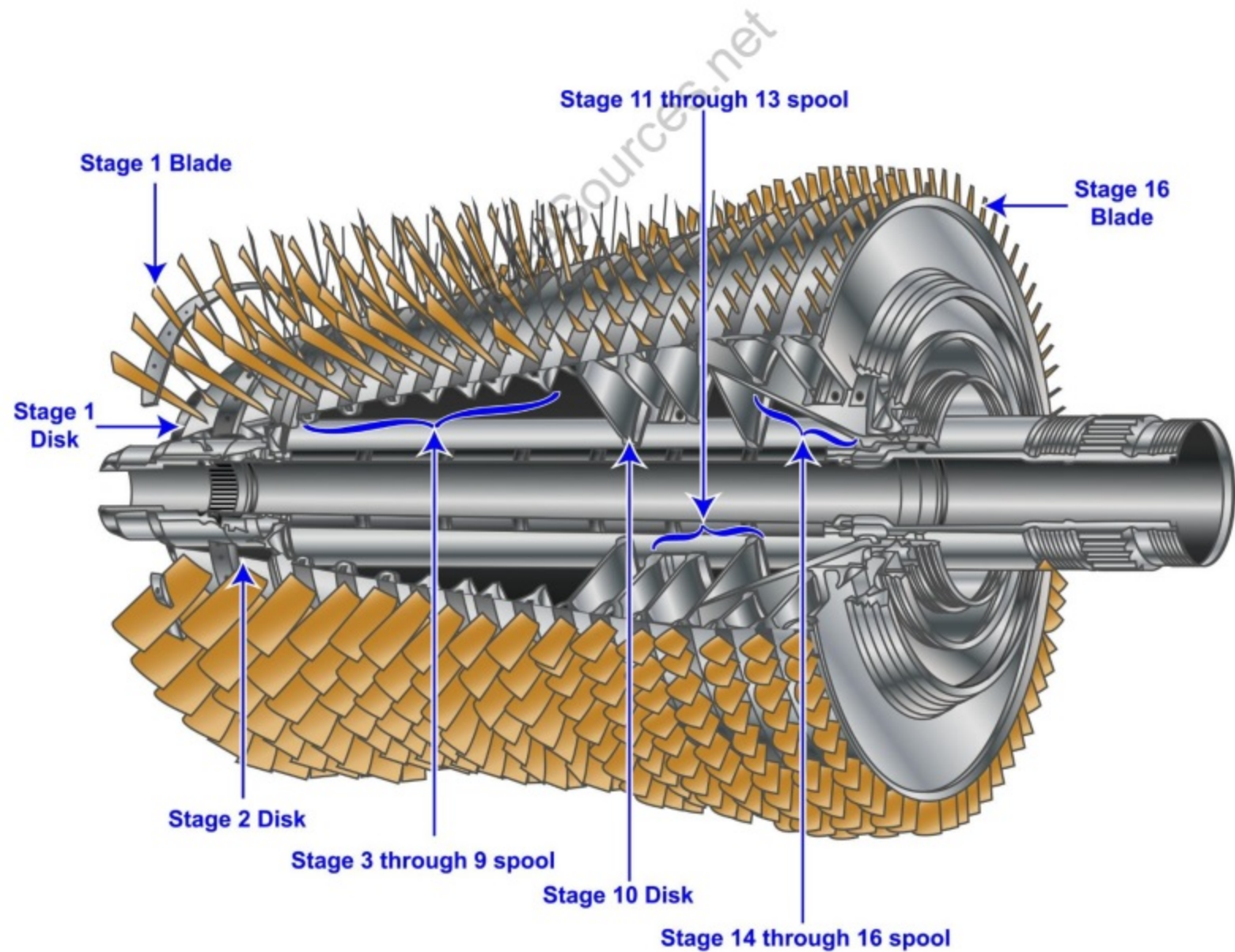


GT-0001

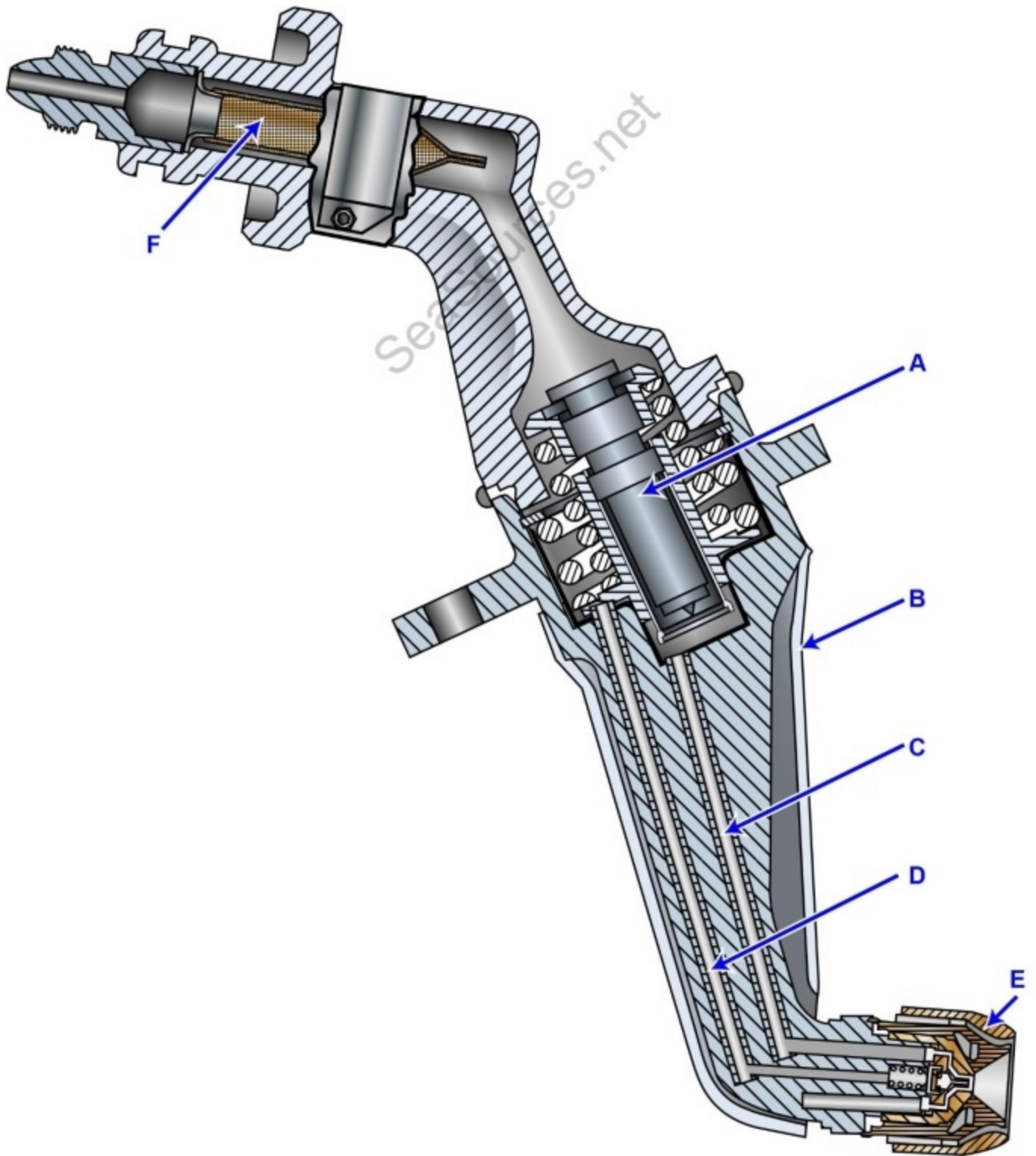
SeaSources.net



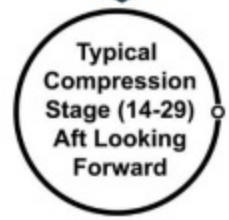
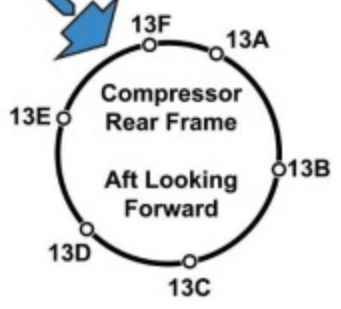
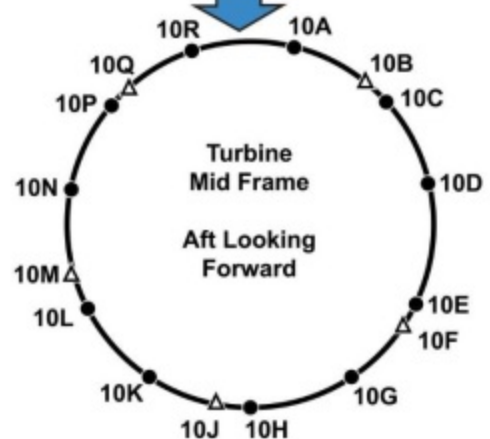
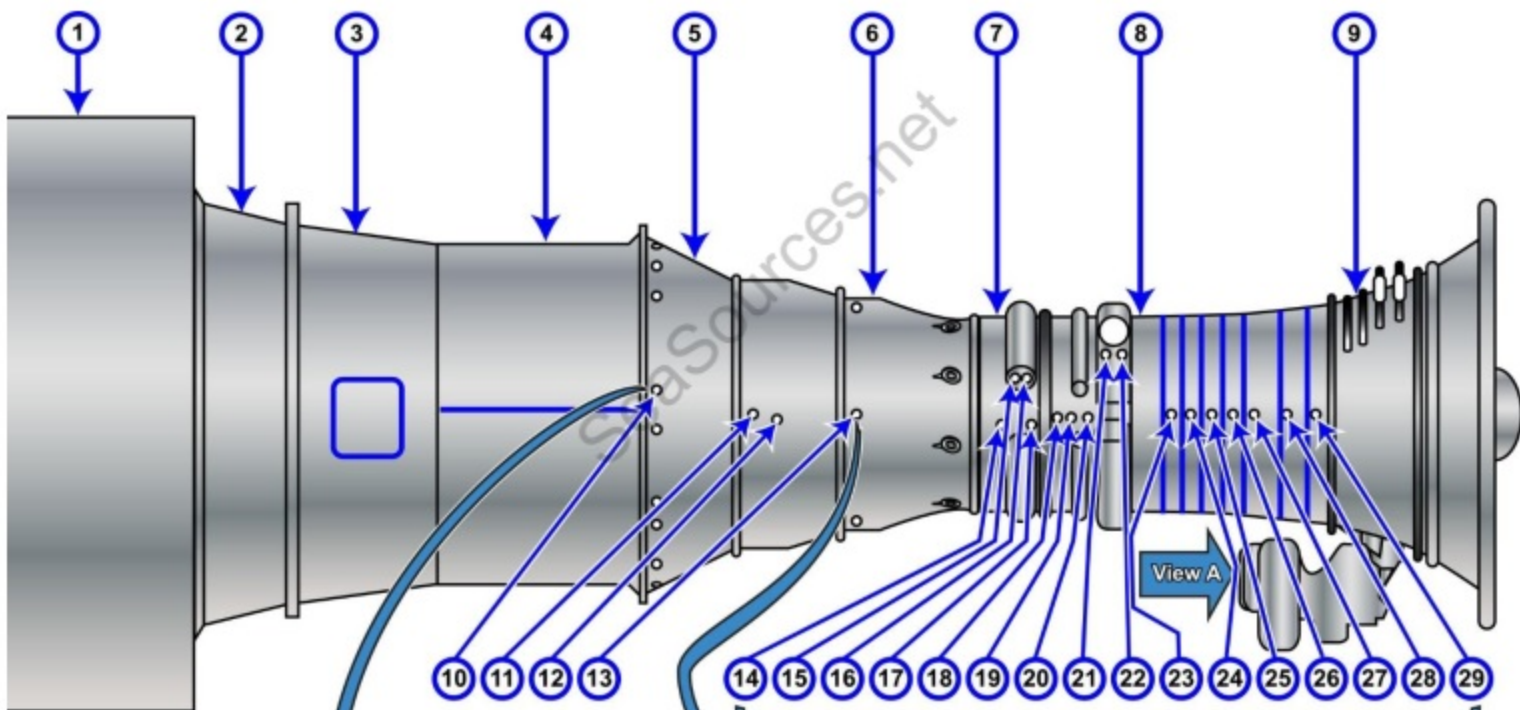
GT-0004



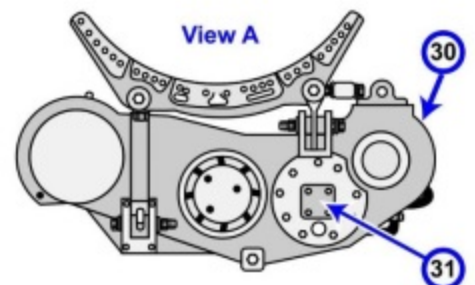
GT-0005



GT-0006

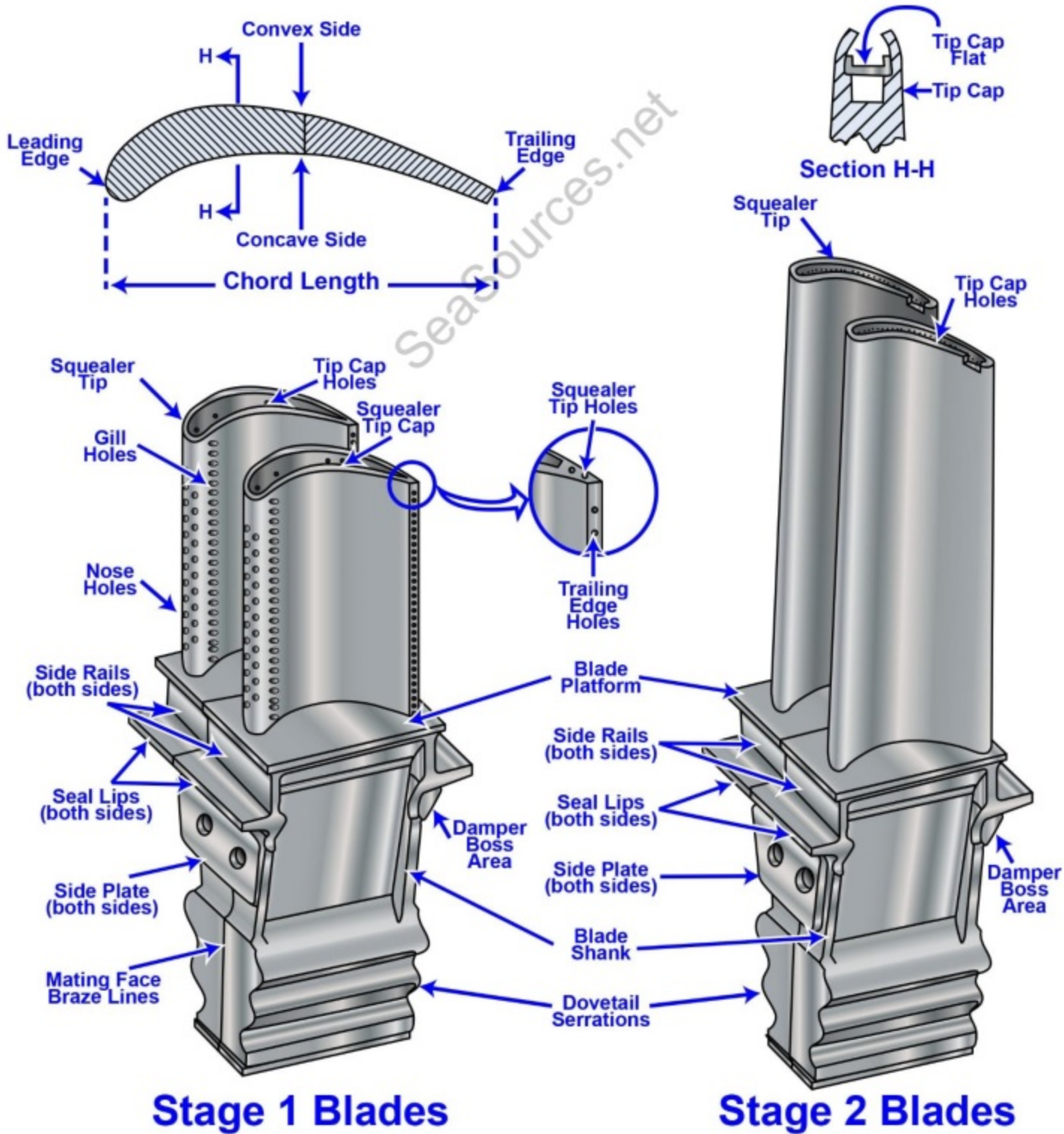


○ Boreprobe Inspection Port
● T 5.4 Thermocouple Probe Port
△ Pt 5.4 Probe Port



View in Direction of Arrow A

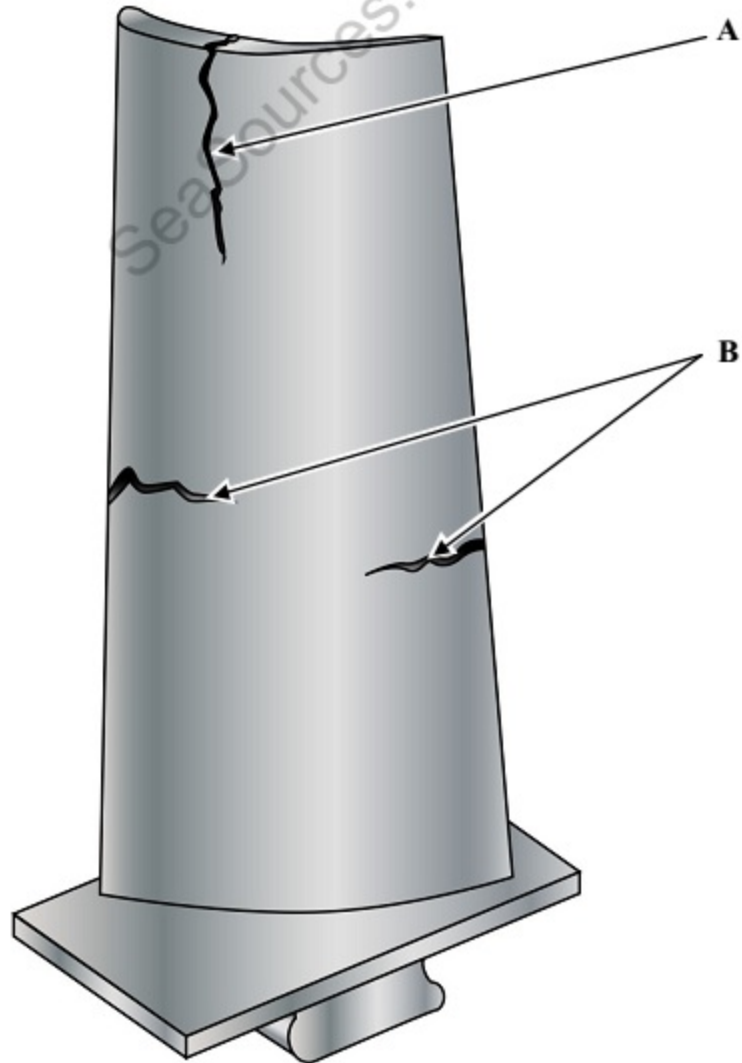
GT-0011



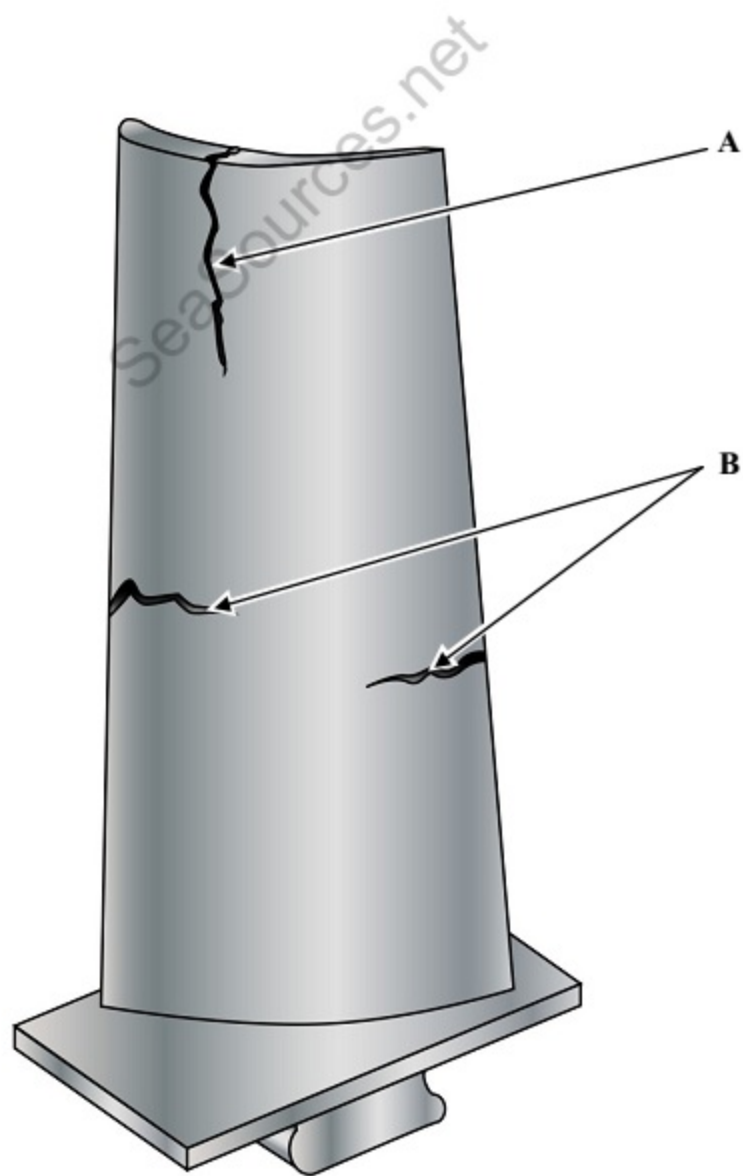
Stage 1 Blades

Stage 2 Blades

GT-0014



GT-0014



GT-0016

FUEL OIL

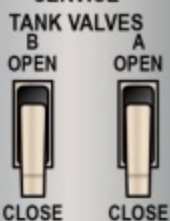
PUMP B FAULT	PUMP A FAULT	HEADER TEMP HI/LO
TANK B TEMP HI/LO	TANK A TEMP HI/LO	HEADER PRESS HI
		HEATER TEMP HI
SUCTION STR Δ P HI	DRAIN TANK LEVEL HI	FILTER WATER HI
		FILTER Δ P HI

TK B SUCT VALVE OPEN	TK A SUCT VALVE OPEN	
TK B RECIRC VALVE OPEN	TK A RECIRC VALVE OPEN	
TK B SUCT VALVE CL	TK A SUCT VALVE CL	FILTER A BLOCKED
TK B RECIRC VALVE CL	TK A RECIRC VALVE CL	FILTER B BLOCKED

HEADER



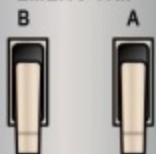
SERVICE TANK VALVES



PUMP



EMERG TRIP



PUMP MODE

MANUAL

B LEAD

A LEAD

CONTROL TRANSFER

REMOTE LOCAL

GTM B

FUEL TEMP LO	LUBO LEVEL HI	LUBO COOLER OUT TEMP HI	COOLING AIR OUT TEMP HI	
FUEL FILTER BLOCKED	LUBO SCAV FILTER BLK	LUBO SUPPLY FILTER BLK	CLUTCH FAIL TO DISENGAGE	CLUTCH FAIL TO ENGAGE
				FIRE DETECTOR FAIL
	NO. 1 FUEL VALVE OPEN	TACH NO. 1 LOSS	STARTER CUTOFF	BLEED AIR VALVE OPEN
	NO. 2 FUEL VALVE OPEN	TACH NO. 2 LOSS	WATER WASH HEATER ON	

WATER WASH

TANK EMPTY



OUT OF SERVICE

NORMAL



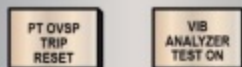
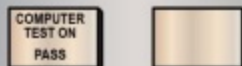
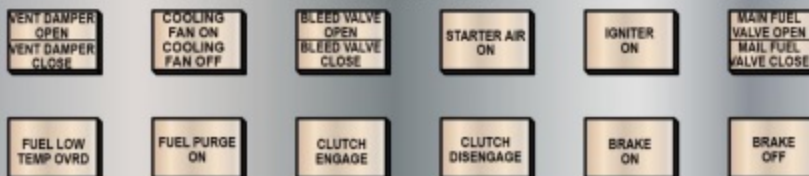
START COUNTER



GTM TIMER



MANUAL START



MAIN FUEL VALVE CHECK SWITCH



CONTROL TRANSFER

ENABLE INHIBIT

SPEED



PT INLET



EMERGENCY CONTROLS

FIRE SYS DISABLED / PUSH TO RESTORE

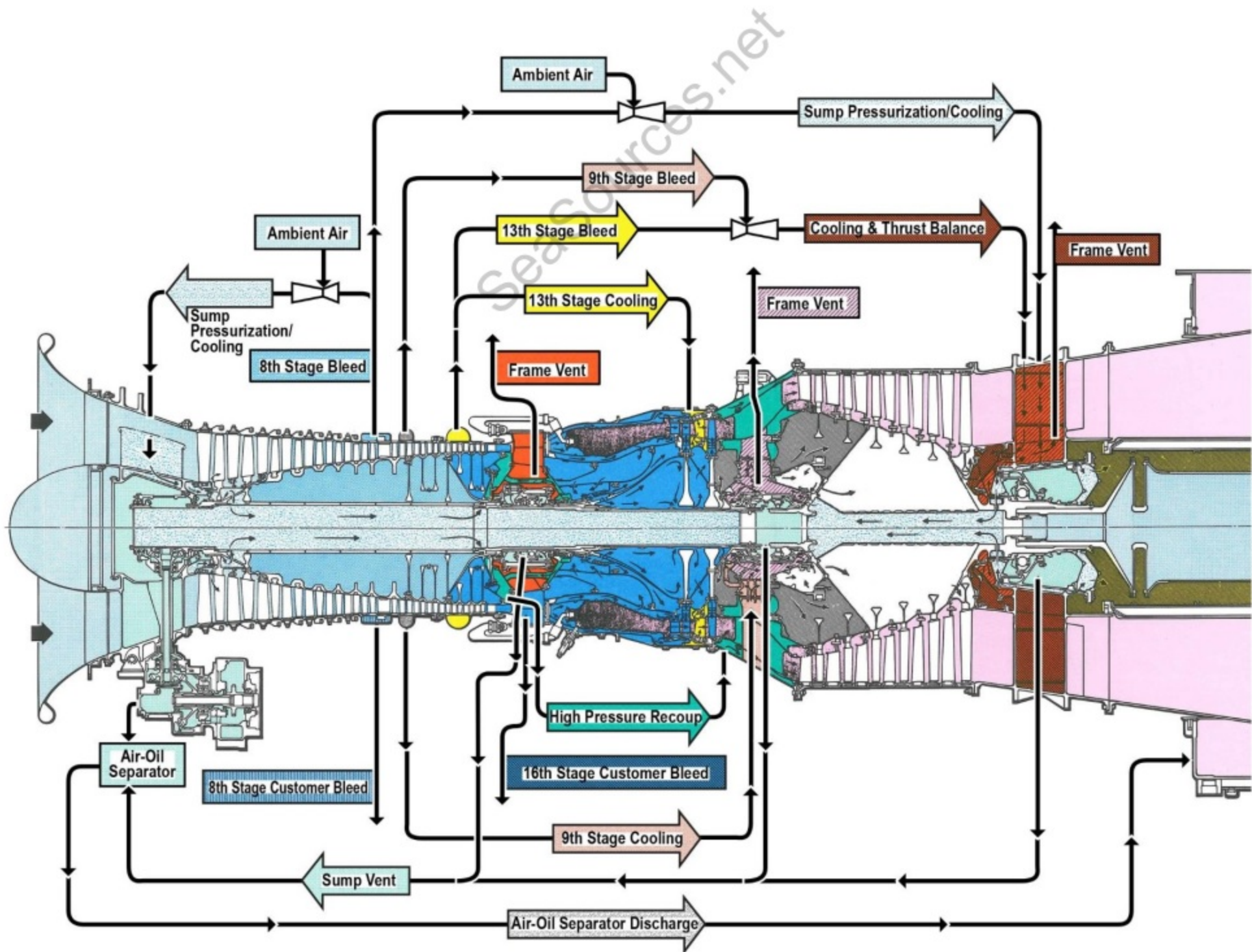
CO2 RELEASE INHIBIT

BATTLE OVRD ON

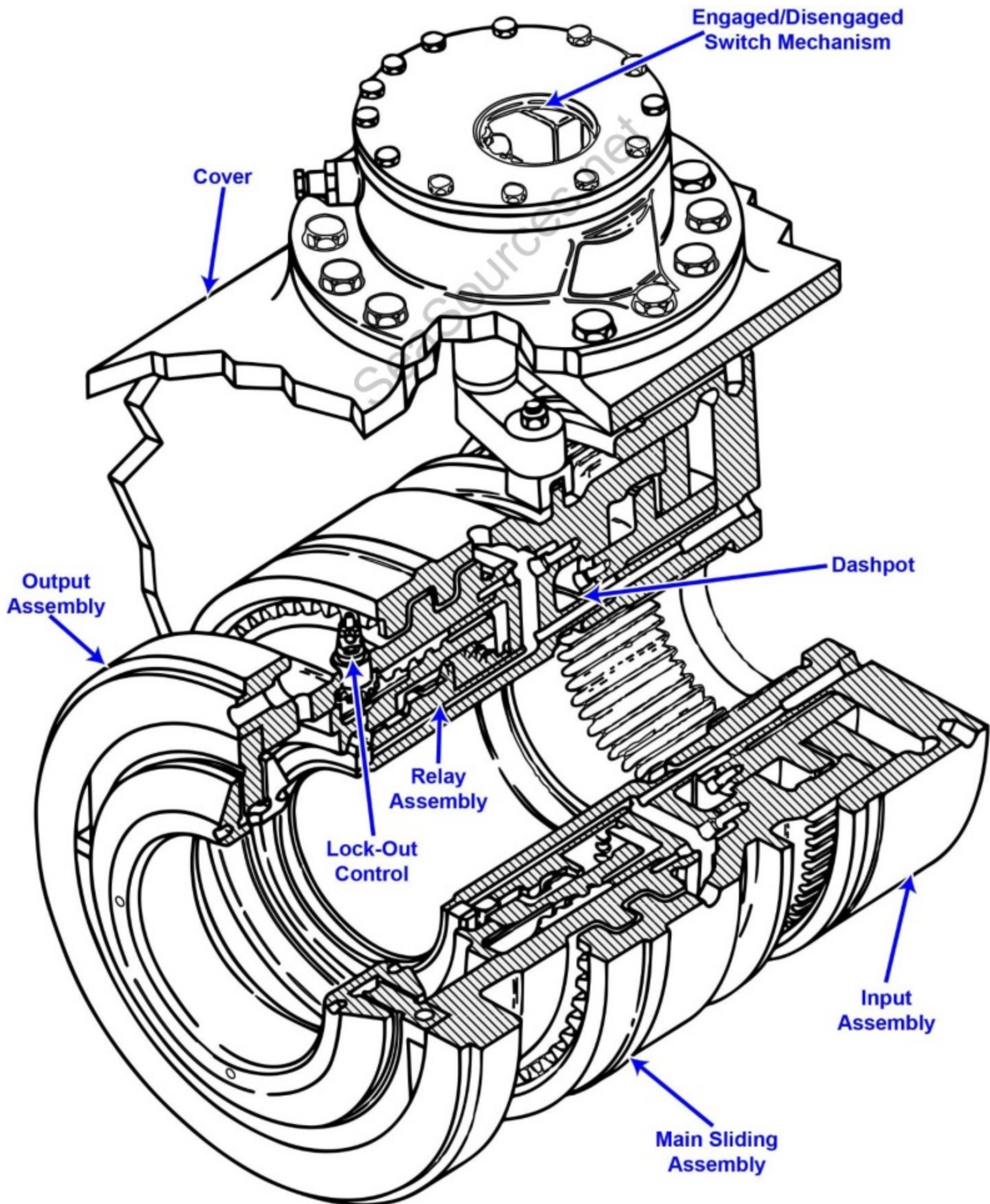
EMERGENCY STOP



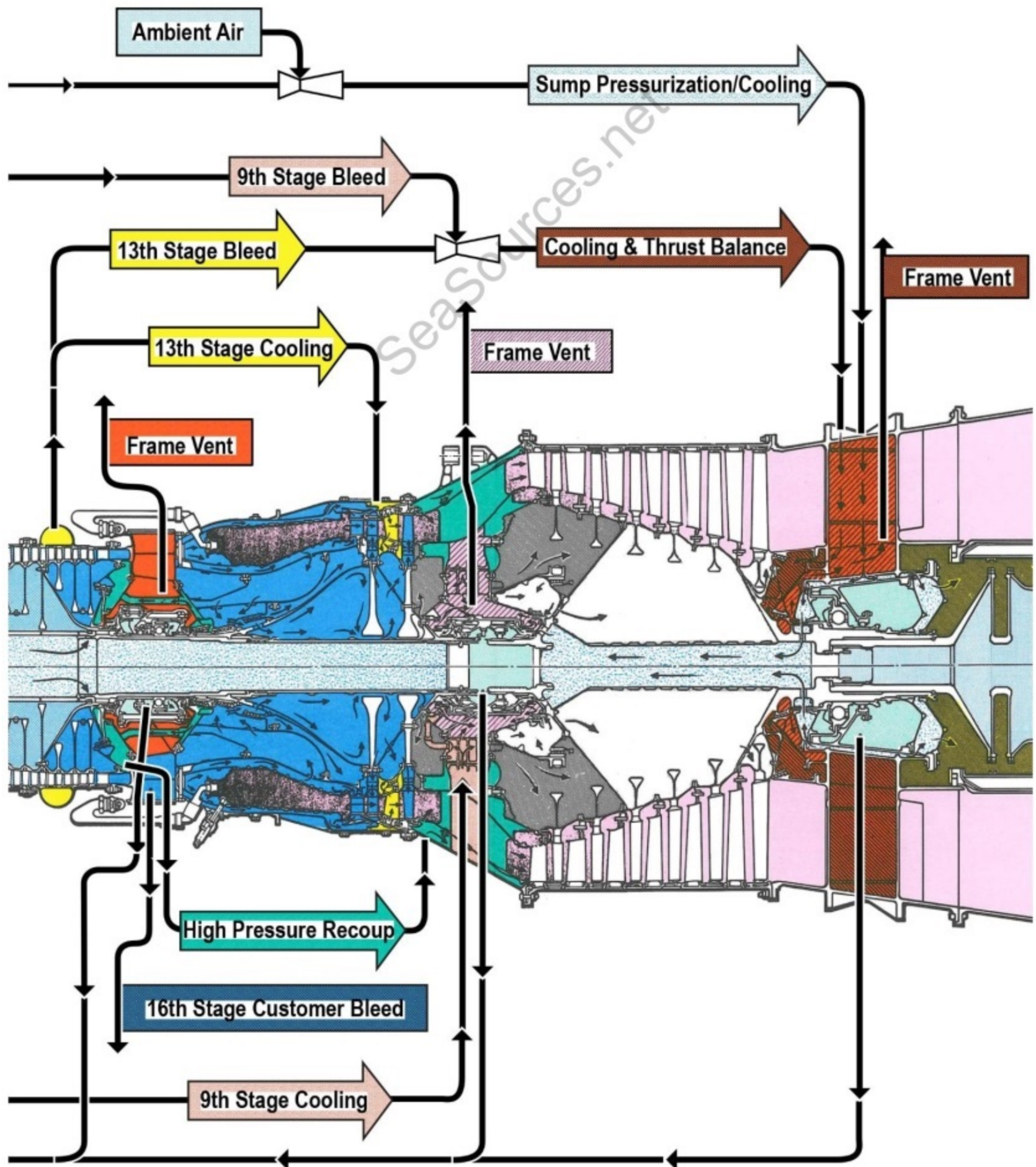
GT-0017



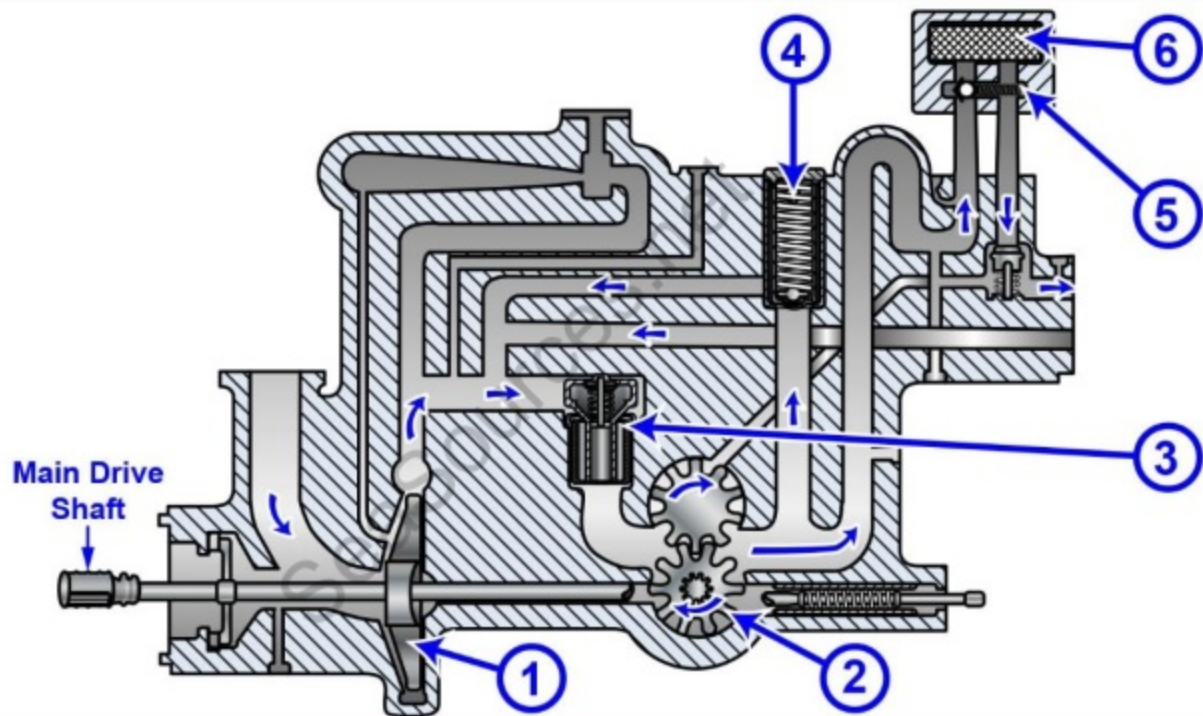
GT-0018



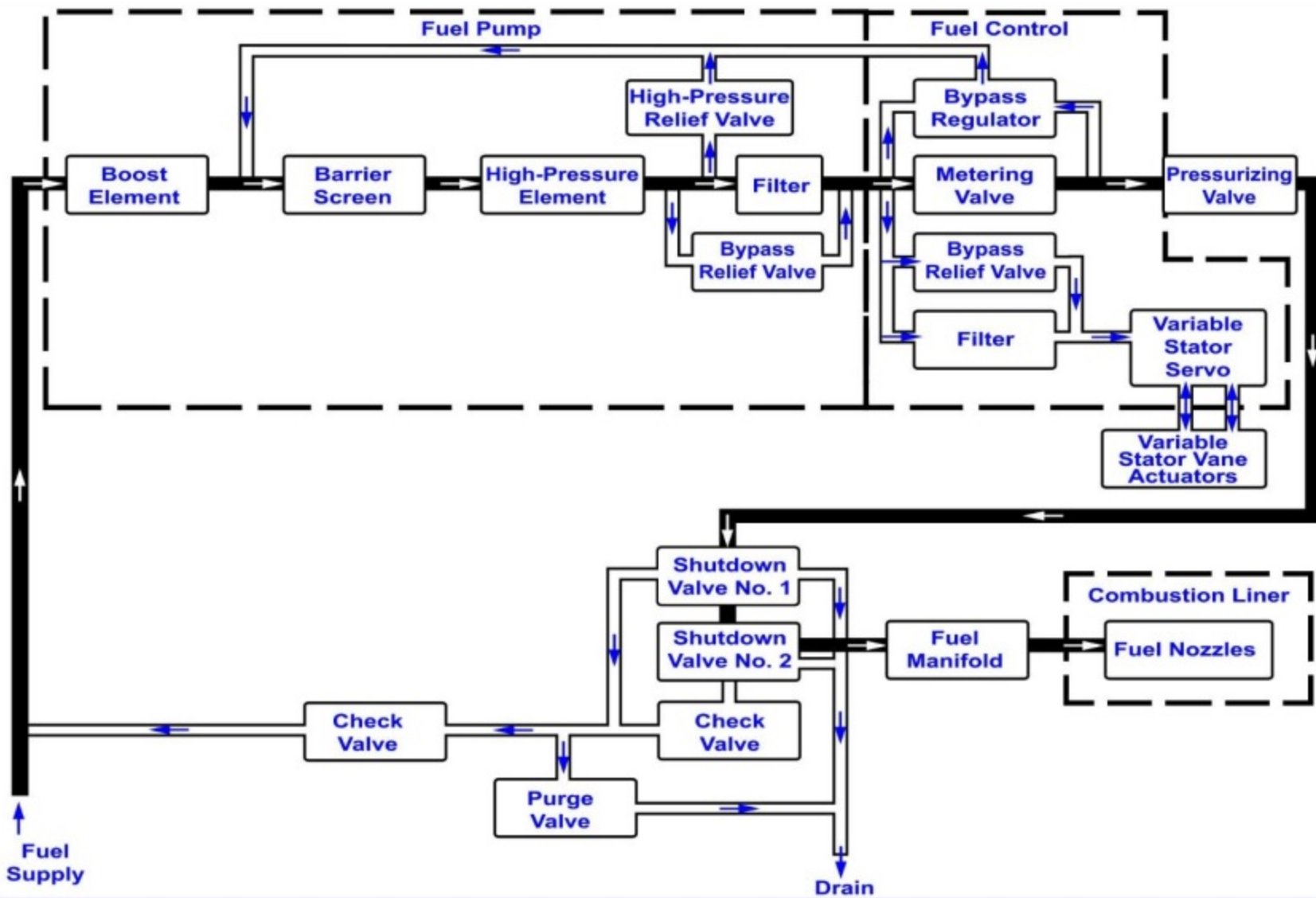
GT-0020



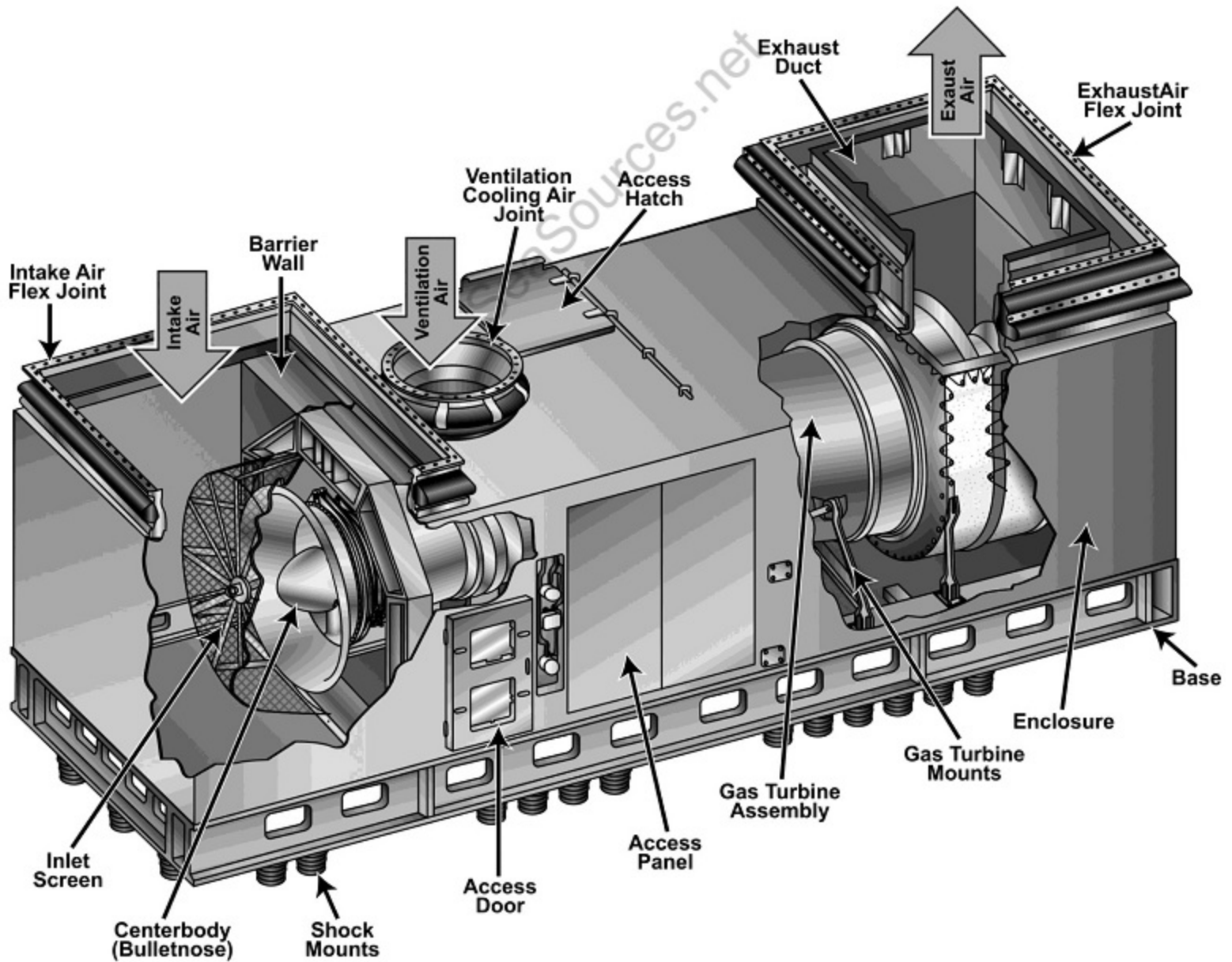
A



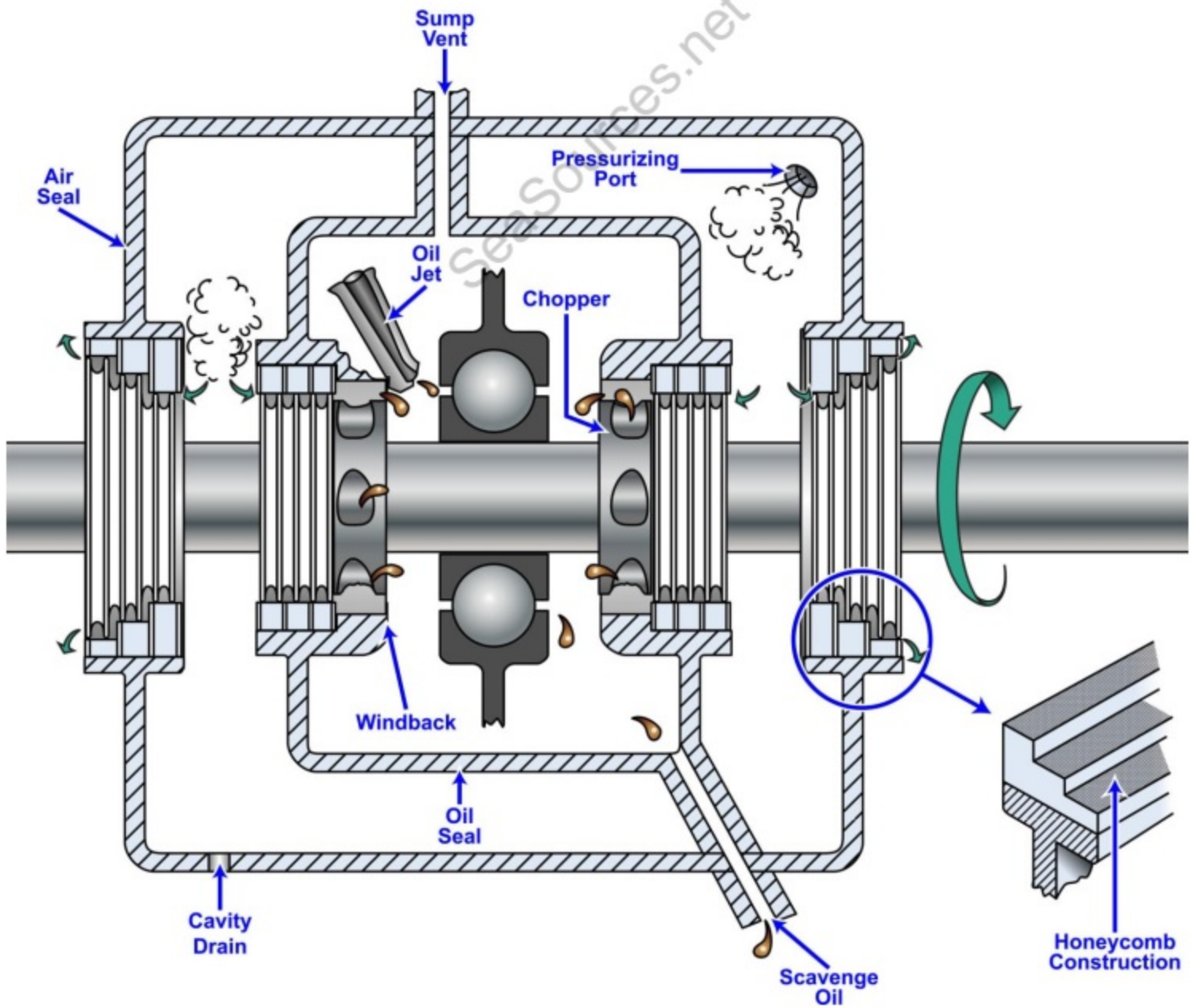
B



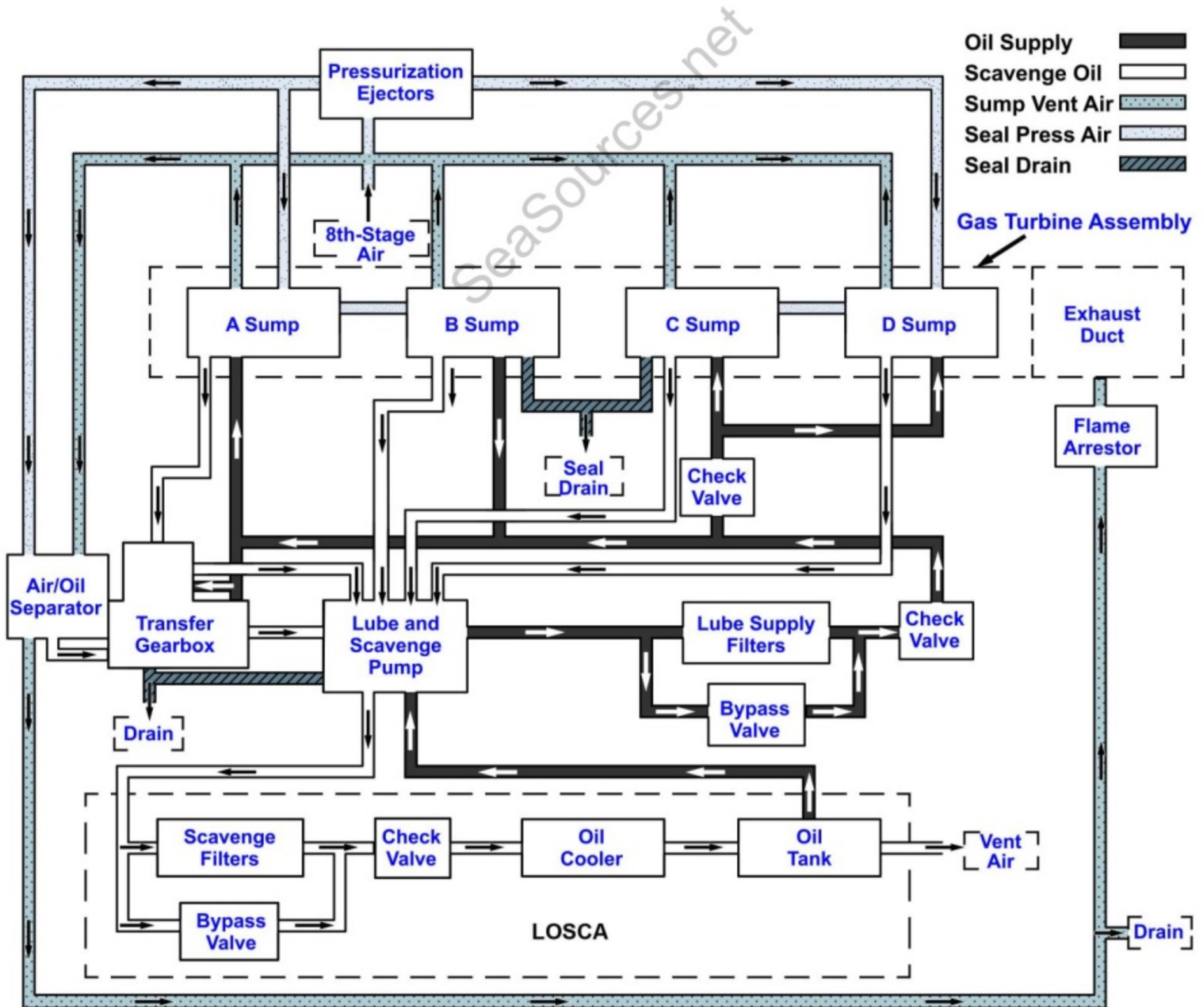
GT-0022



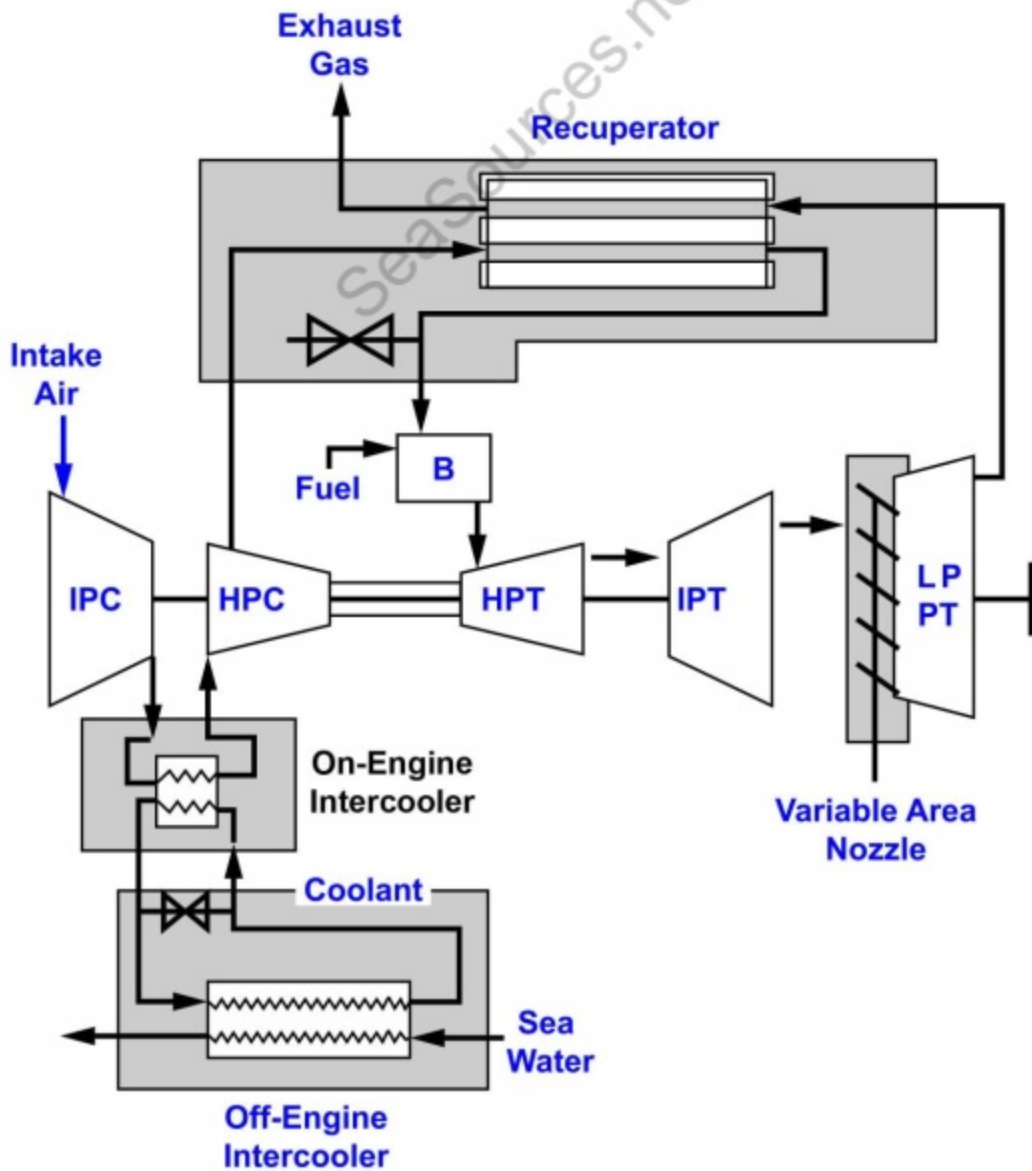
GT-0023



GT-0024



GT-0026



SeaSources.net

